



**PACKAGING LINES**

PACKAGING SOLUTIONS. SINCE 1949



# PALLETLESS

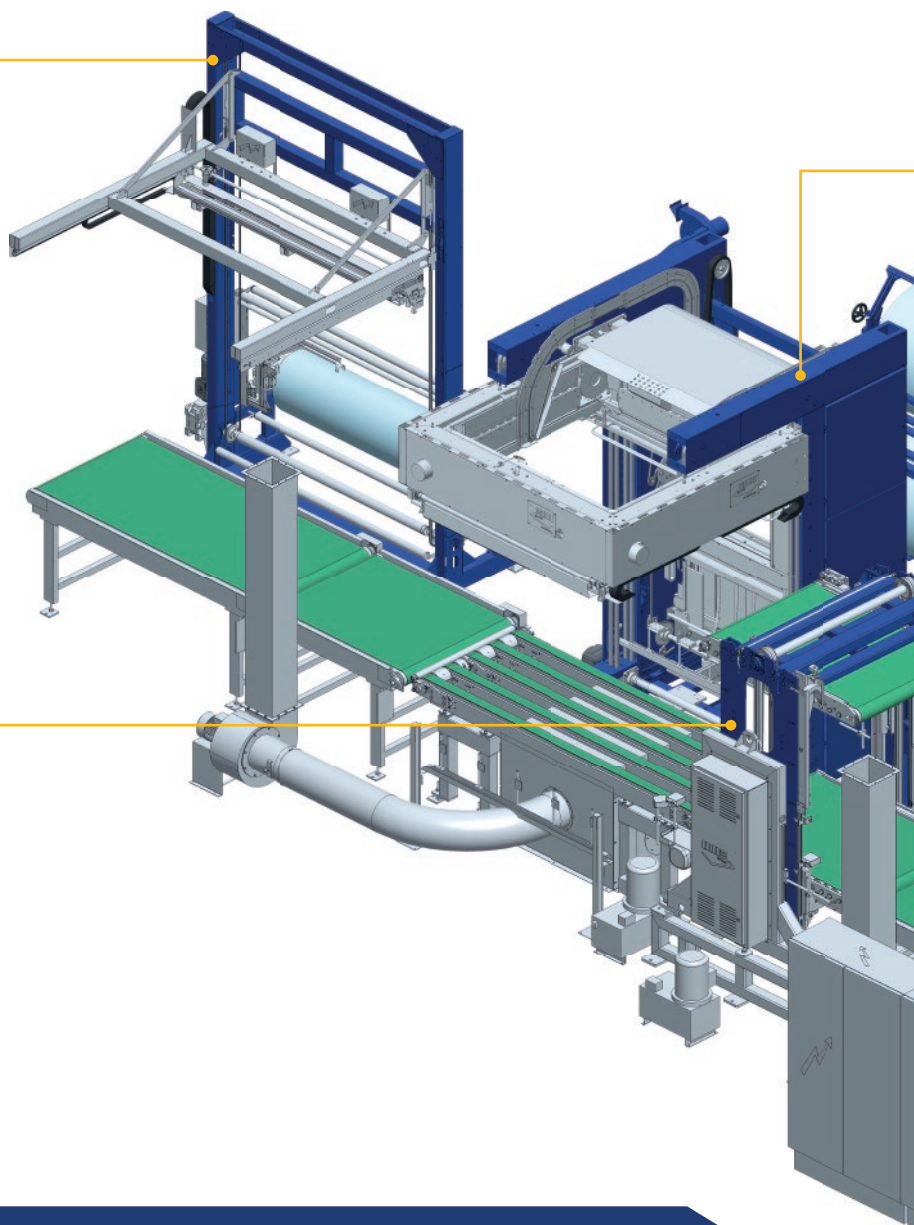
## PACKAGING TECHNOLOGY

### TOP SHEET DISPENSER MTF10

Automatic film application system with top sheet dispenser to apply a sheet of thermoshinking film on top of the pack. The sheet is taken from a coil installed on the machine and it is made to protrude from the pack as needed.

### ROTATOR RT02

Automatic rotation system with which it is possible to turn the pack by 180° in order to obtain a perfectly sealed packaging. Pack compression is controlled by an oil-pressure unit.



## TECHNICAL DATA

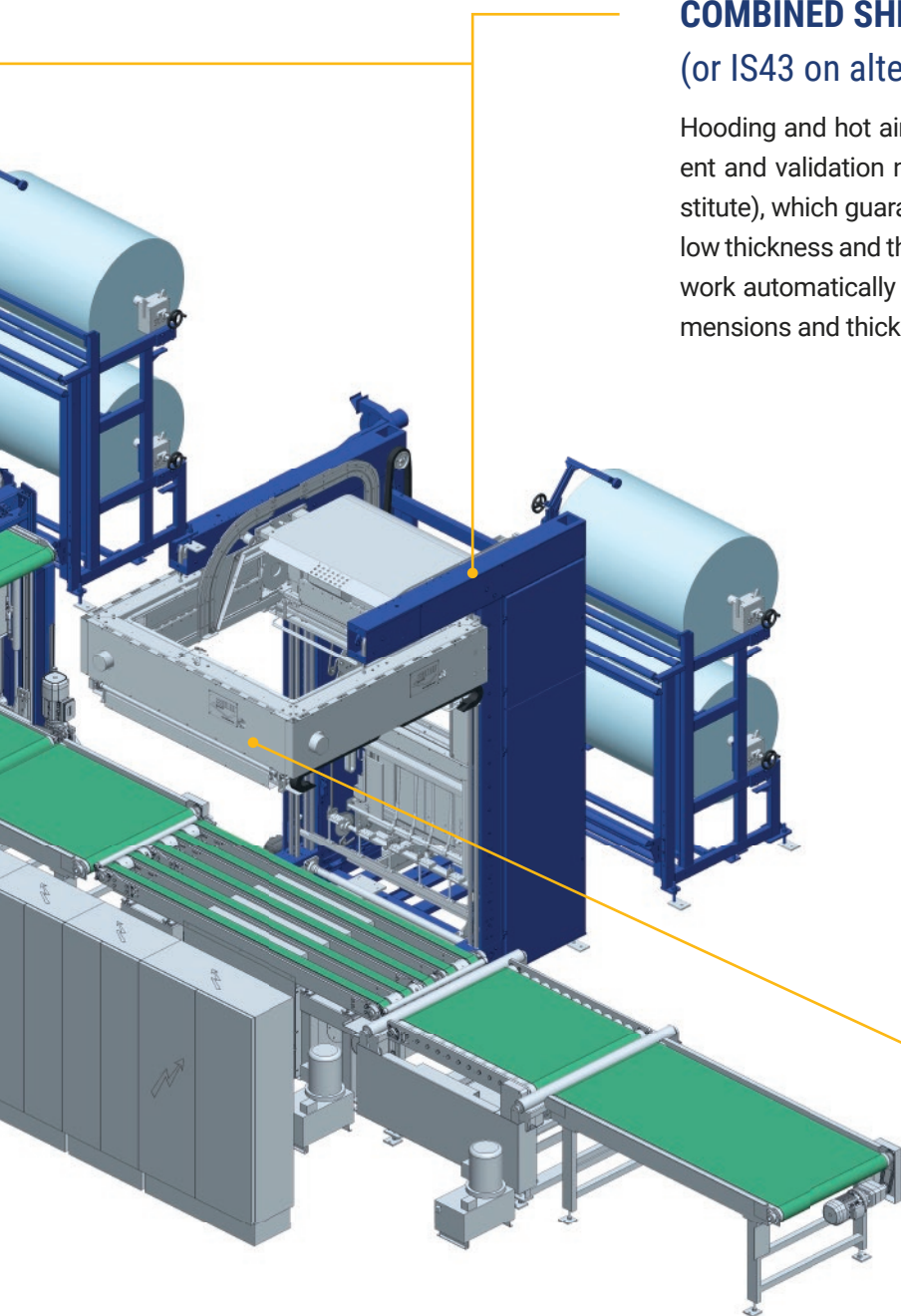
**Palletless lines** with different production capacities are available:

<b>Pack dimensions</b>	1050mm x 1250mm x 1370mm
<b>Max weight</b>	2200 Kg
<b>Film thickness</b>	140 mk
<b>Output:</b>	60 / 80 / 100 Pack /Hour

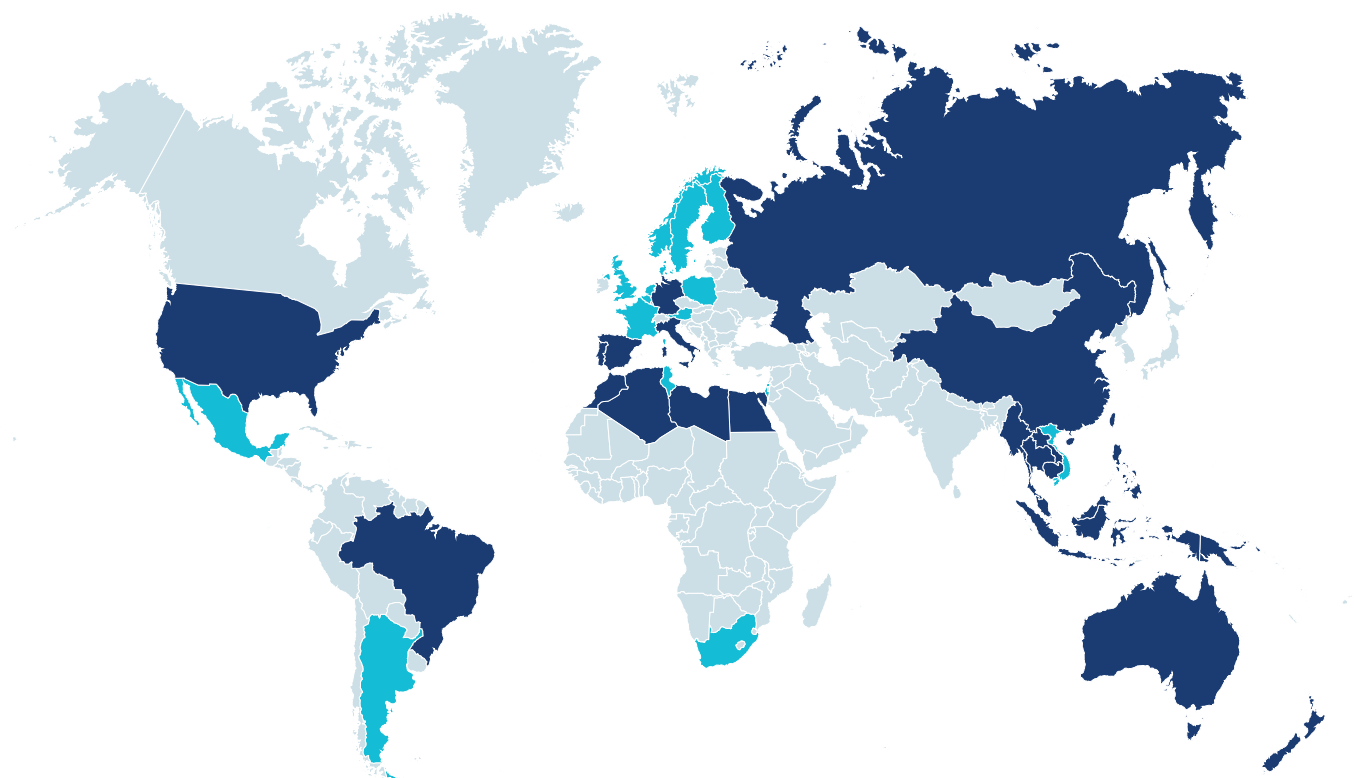
The **Palletless packaging technology** is a modular line that can be easily adapted to the customer's manufacturing needs. This packaging solution brings many benefits, first of all, a money saving due to the costs reduction for the purchase of pallets and their processing and in the secondly a space reduction due to smaller size of the load. Another benefit comes from the packaging method, the film shrinking ensures the highest impermeability of the packs, making it possible to store them outdoors.

### COMBINED SHRINK HOODING AT53 (or IS43 on alternative request)

Hooding and hot air shrink system with four linear burners (OMS patent and validation n. DG2217 BL 0557 issued by the German Gas Institute), which guarantee a thermal balance to favour the use of a very low thickness and the ideal heat distribution. The hooding machine can work automatically even with different coils with equal or different dimensions and thicknesses.



# OMS in the World



● Subsidiaries ● Distributors

<b>ITALY</b> www.omsspa.com www.omstrap.it www.marpak.it	<b>GERMANY</b> www.oms-ips.com	<b>SPAIN</b> www.omsespana.com	<b>PORTUGAL</b> www.embalcer.pt	<b>RUSSIA</b> www.omssystems.ru
<b>MAGHREB</b> contact@omsmaghreb.com	<b>SINGAPORE</b> www.omssin.com.sg	<b>BRASIL</b> www.omsbr.com.br	<b>USA</b> www.polychemoms.com	<b>AUSTRALASIA</b> www.omsaus.com.au
<b>THAILAND</b> www.omsthai.com	<b>UK</b> www.gordianstrapping.co.uk	<b>AUSTRIA</b> www.riegler-verpackungstechnik.com	<b>BENELUX</b> www.certis.be	<b>FRANCE</b> www.getra.fr
<b>POLAND</b> www.manuli-agri.com	<b>DENMARK</b> www.walpak.dk	<b>FINLAND</b> www.telpak.fi	<b>MEXICO</b> enrico@italcer.net	<b>ARGENTINA</b> www.exim-consult.com
<b>ISRAEL</b> www.mmts.co.il	<b>TUNISIA</b> www.toupackgroup.com	<b>VIETNAM</b> sales_advance@hcm.fpt.vn	<b>SOUTH AFRICA</b> www.futurepack.co.za	

For additional details, visit: [www.omsspa.com/en/the-group](http://www.omsspa.com/en/the-group)



## Officina Meccanica Sestese S.p.A.

📍 Via Borgomanero, 44 - 28040 Paruzzaro (NO)

☎ Tel.+39 0322 541411 - Fax +39 0322 53157

🌐 [www.omsspa.com](http://www.omsspa.com) ✉ [info@omsspa.com](mailto:info@omsspa.com)