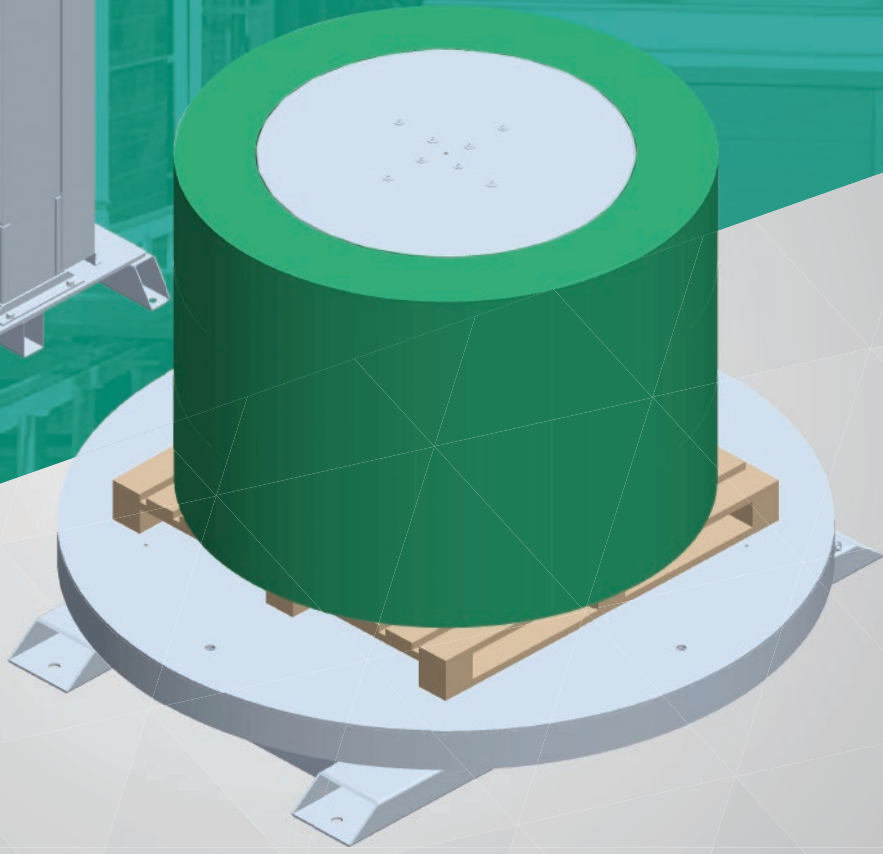
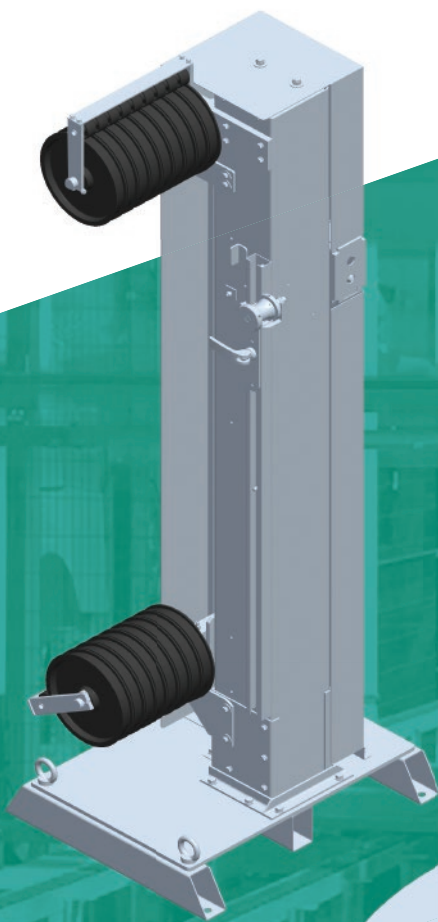


STRAPPING

MOD.  
**MEGAJUMBO**  
REEL HOLDER  
WITH ROTATING  
TURNABLE



 **Applications**



Wood



Paper



Cardboard



Plastic/Can



Glass



Construction

# MEGA JUMBO Reel holder with rotating table

MEGA\_T\_EN

This special MEGA JUMBO reel holder has been designed to speed up strap replacement operations, especially in the timber sector. The equipment is fitted with a motorized rotating table and a separated motorized column. This reel

holder is suitable to be used in different production sectors. It can load strap coils up to  $\varnothing$  1150mm, with a maximum load of 1000 kg. Its rotary table is 250 mm high so the pallet of coils can only be loaded with a forklift.

## Technical data

### Power supply

Voltage 400 V (+/-10%) - 50Hz

Installed power ~ 1,1 kW

### Coil data

Max. number loadable 3

Max. load weight 1000 Kg

### Rotating table

Diameter  $\varnothing$  1650 mm

Rotation speed 18 rpm

### Coil size

Type of strap coil MEGA JUMBO

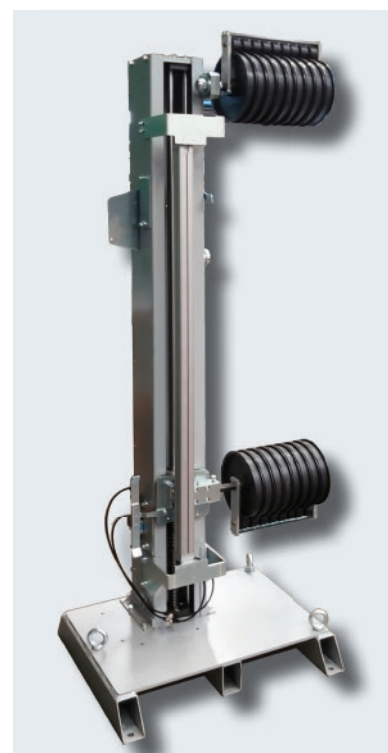
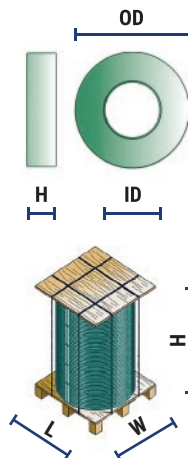
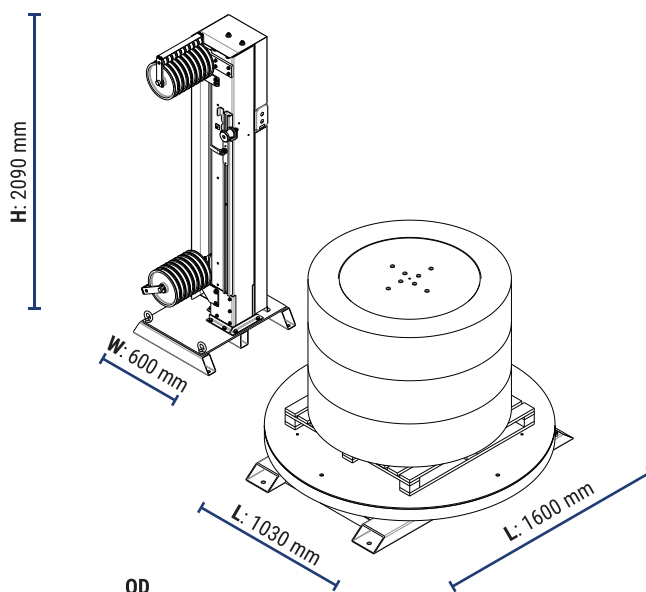
Dimensions OD 1150 x ID 406 x H 305 mm

### Pack sizes

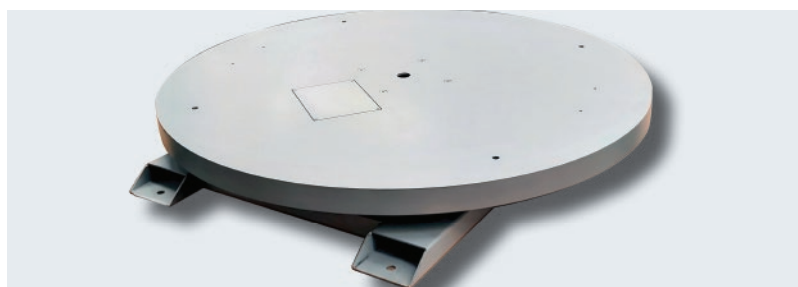
Coil type / Nr. of reels MEGA JUMBO / 3

Dimensions L 1150 x W 1150 x H 915 mm

## Standard machine dimensions



Detail of motorized column



Detail of motorized rotating table



Officina Meccanica Sestese S.p.A.

Via Borgomanero, 44 - 28040 Paruzzaro (NO)

Tel. +39 0322 541411 Fax +39 0322 53157

www.omsspa.com

info@omsspa.com

As a part of our policy of continuous improvement, we reserve the right to alter design and specifications without prior notice. This brochure is for descriptive purpose only. Some of the items pictured in this brochure are optional and not standard equipment.