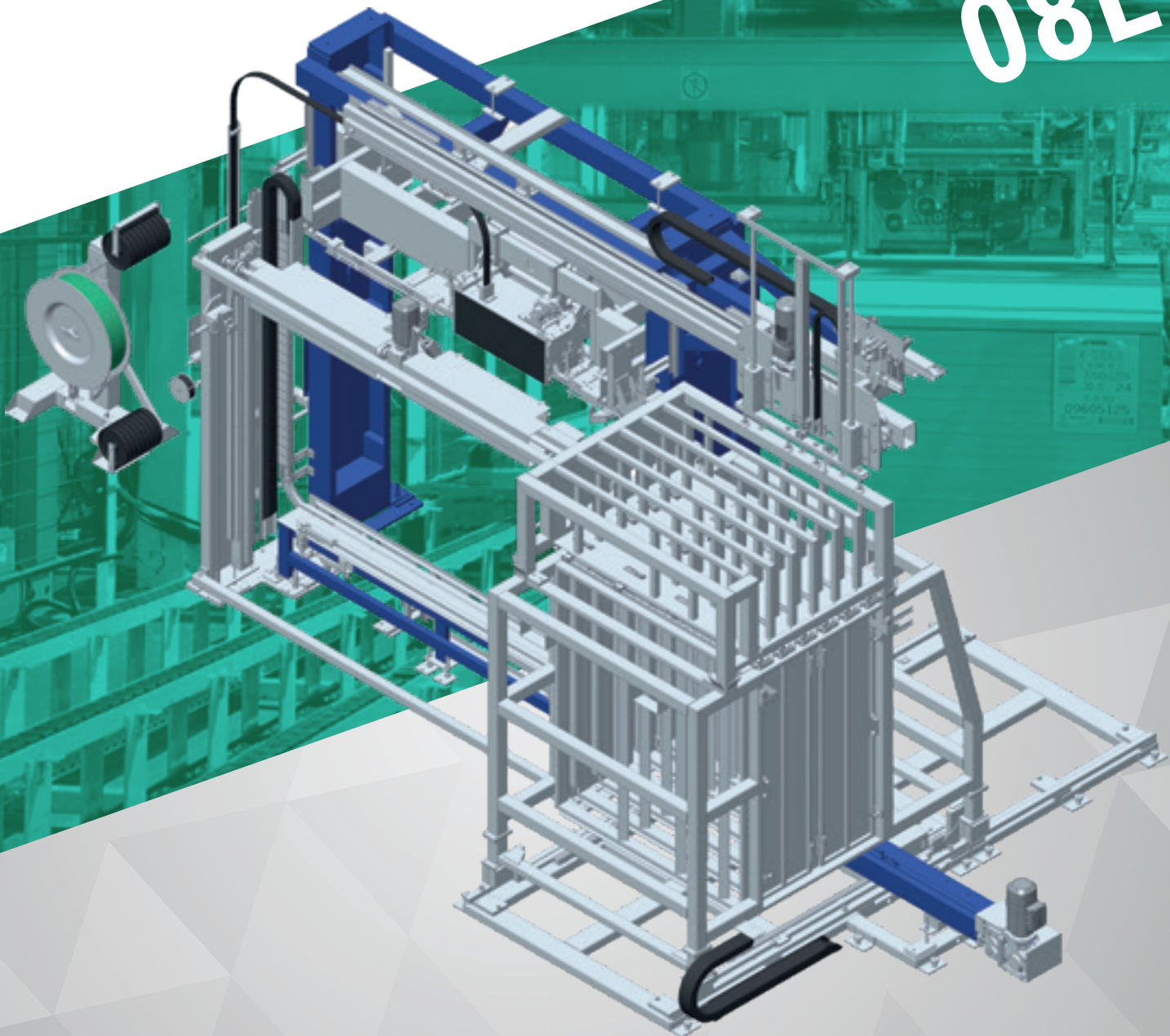




STRAPPING

MOD.  
08L



 Applications



Wood & Profiles

The automatic strapping machines model 08L, are ideal to vertically strap all wooden products such as panels, strips and planks which need to be kept together during transport and handling.

Depending on the type of product to be bound, the machines

may be equipped with devices to apply wooden runners above and below the pack, or cardboard corner protectors before the strapping phase.

The operating cycles of the machines and the individual devices may be programmed through an operator panel.

## Technical data

### Power supply

Voltage 400 V (+/-10%) - 50Hz

Installed power ~ 5,2 kW

### Air supply

Pressure 5,5 ÷ 7 bar

### Coil size

Max internal diameter 390 ÷ 405 mm

Max external diameter 600 mm

### Pack size (standard machine)

Width 600 / 2500 mm

Height 200 / 1200 mm

### Applicable strapping heads

TR2000

### Strap

Type of strap Polyester (PET)

## Standard machine dimensions

